

valco  
baby

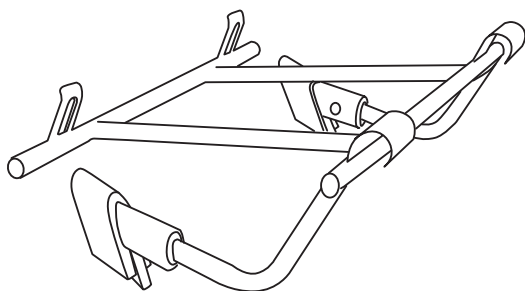
# TRAVEL SYSTEM ADAPTOR

## FOR ION FOR 2

## PRODUCT REFERENCE GUIDE

Thank you for purchasing a quality Valco Baby product. Please read and follow the instructions outlined in this guide carefully. Familiarise yourself with the construction and safety features; be sure that you understand all the warnings and safety guidelines before use.

**Important: Please read the following instructions carefully before assembling this product. Retain this guide in a safe place for future reference.**



Due to our policy of continuous product development, this product is constantly evolving. It is possible that some features or procedures outlined here have changed since this document was written. If you are unsure of any procedure shown here, please contact us via the web at [info@valco.com.au](mailto:info@valco.com.au) to obtain the most up to date information before use. Include the batch number, which can be found on a sticker on the frame.

All pictures and diagrams herein are provided for illustration purposes only. Actual product, colour or fabric may vary. Valco Baby reserves the right to modify or alter any specification or colour without notice or obligation to modify any product previously purchased

### FURTHER INFORMATION

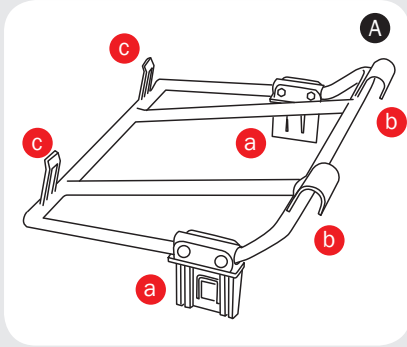
In Australia/New  
Zealand [www.valco.com.au](http://www.valco.com.au)

In North America only  
[www.valcobaby.com](http://www.valcobaby.com)  
1800 610 7850

© Copyright VE 2009

## ADAPTOR ASSEMBLY

FIGURE A



1. Remove the Car Seat Adaptor from packaging. Dispose of all packaging thoughtfully. Identify all parts on the Adaptor:

- a. Adaptor Fixing brackets
- b. Front locking hooks
- c. Back locking uprights

FIGURE B

2. The Valco Travel System is made to accommodate the Britax Unicity™ Car seat.

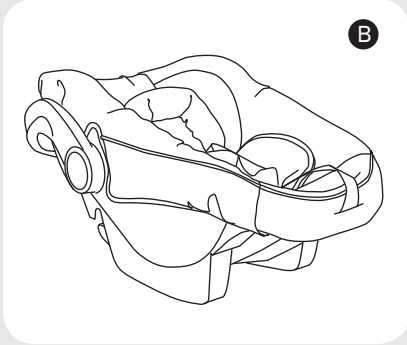


FIGURE C - INSTALLING THE ADAPTOR

3. Recline the seat of your stroller as far as it allows and push the hood back completely. Remove the bumper bar as per the manufacturer's instructions and store in a safe place.
4. Position the Adaptor so the front locking hooks (a) face forward (4).
5. Position the Adaptor directly over the stroller seat and align the adaptor fixing brackets with the bumper bar housings.
6. Lower the Adaptor carefully into the bumper bar housings until both sides engage into place.

**IMPORTANT NOTE: ALWAYS TEST THAT THE CAR SEAT ADAPTOR HAS BEEN FULLY ENGAGED INTO POSITION BEFORE ATTACHING YOUR CAR SEAT.**

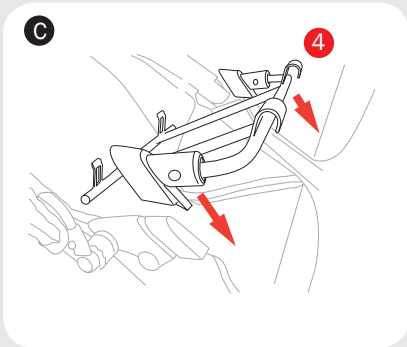
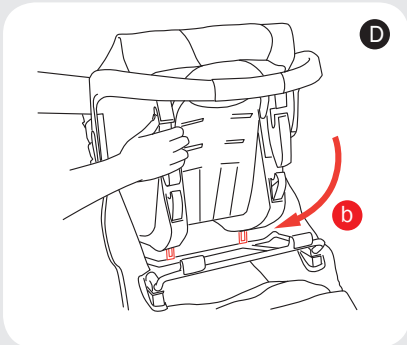


FIGURE D - USING YOUR TRAVEL SYSTEM

7. Tilting the car seat slightly, align the locking bracket at the rear of the seat with the front locking hooks (b) on the adaptor.



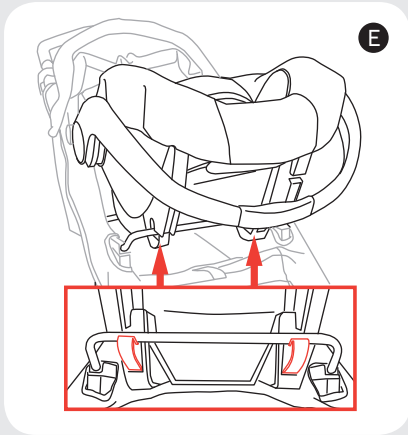


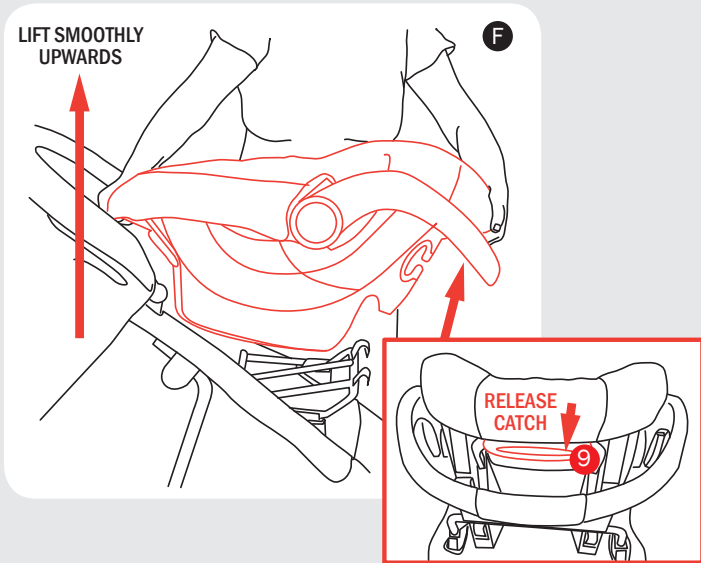
FIGURE E

8. Push down on the seat firmly until you feel the rear locking uprights click into place.

**IMPORTANT NOTE: ALWAYS TEST THAT THE SEAT IS SECURELY ENGAGED BY PULLING UP ON IT SLIGHTLY**

FIGURE F - REMOVING THE SEAT

9. Release the seat catch in the same manner as you would release the seat from the car, by pulling upward on the release catch at the front of the car seat and lift the seat smoothly upward.



F

## **WARNING**

- **FOLLOW THE MANUFACTURER'S INSTRUCTIONS.**
- **PUT ON ALL THE BRAKES WHENEVER YOU PARK THE PRAM/STROLLER.**
- **DO NOT LEAVE CHILDREN UNATTENDED.**
- **DO NOT CARRY EXTRA CHILDREN OR BAGS ON THIS PRAM/STROLLER.**
- **MAKE SURE CHILDREN ARE CLEAR OF ANY MOVING PARTS IF YOU ADJUST THE PRAM/STROLLER. OTHERWISE THEY MAY BE INJURED.**

Remember, your child's safety is your responsibility...

- NEVER USE ON STAIRS OR ESCALATORS.
- ALWAYS USE THE TETHER STRAP WHEN THE STROLLER IS IN USE.
- THE CORRECT USE AND MAINTENANCE OF THIS VEHICLE ARE ESSENTIAL.
- BE SURE THAT ALL CLAMPS AND BUCKLES ARE SECURELY FIXED AND IN PLACE BEFORE USE
- WHEN IN THE STROLLER, YOUR CHILD MUST ALWAYS WEAR THE SAFETY HARNESS, CORRECTLY FITTED AND ADJUSTED, AT ALL TIMES.
- NEVER EXCEED THE MAXIMUM WEIGHT OR HEIGHT OF THE CHILD FOR WHICH YOUR CAR SEAT IS INTENDED - REFER TO YOUR CAR SEAT MANUAL FOR INFORMATION REGARDING THE WEIGHT AND HEIGHT FOR WHICH THE SEAT CAN BE USED.
- REFER TO YOUR CAR SEAT MANUAL FOR USAGE INSTRUCTIONS
- NEVER RUN WITH A NEWBORN BABY IN ANY PRAM OR STROLLER.
- CHECK ALL PARTS BEFORE USE FOR BREAKAGE OR FATIGUE. DISCONTINUE USE IMMEDIATELY IF ANY PART IS FOUND TO BE DAMAGED OR BROKEN.
- MAXIMUM LOAD OF BASKETS: 3.5KGS.
- ALWAYS BE AWARE OF THE RISKS PROVIDED BY FIRE AND OTHER SIGNIFICANT SOURCES OF HEAT SUCH AS RADIATORS, ETC. WHICH MAY BE IN THE IMMEDIATE VICINITY OF YOUR STROLLER.
- IT MAY BE UNSAFE TO USE ANY ACCESSORIES OTHER THAN VALCO APPROVED ONES.
- THIS PRODUCT IS INTENDED FOR DOMESTIC USE ONLY. IT IS NOT INTENDED FOR COMMERCIAL USE.

Should the chassis become wet, dry off promptly before storing. If this pram is used near the ocean or salted roads, spray the chassis and seat frame with water and dry. We recommend a rust inhibiting product should be used to prevent rust and fatigue on metal parts.

We recommend that you wipe down axles and lubricate the wheels every 3 months. Sand and dirt can grind down axles, if you live near the beach or in a dusty environment you must wipe down the axles and wheels then lubricate them monthly.

AXLES ARE BEST LUBRICATED WITH GREASE OR PETROLEUM JELLY. MOVING PARTS ARE BEST LUBRICATED WITH SILICONE BASED PRODUCTS. DO NOT USE OIL BASED PRODUCTS.

**valco**  
baby

**In Australia/New Zealand**

[www.valco.com.au](http://www.valco.com.au)

**In North America only**

[www.valcobaby.com](http://www.valcobaby.com)  
**1 800 610 7850**