

valco
baby

JOEY

TODDLER SEAT FOR TRI MODE FAMILY

TRIMODE • MATRIX • QUAD • ZEE

PRODUCT REFERENCE GUIDE

Thank you for purchasing a quality VALCO BABY product. Please read and follow the instructions outlined in this guide carefully. Familiarise yourself with the construction and safety features; be sure that you understand all the warnings and safety guidelines before use.

Important: Please read the following instructions carefully before assembling this product. Retain this guide in a safe place for future reference.



Illustration only
Actual product may vary.

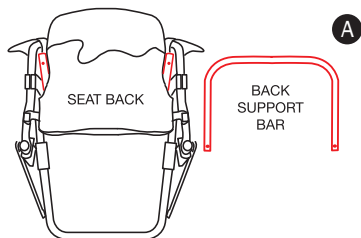
Due to our policy of continuous product development, this product is constantly evolving. It is possible that some features or procedures outlined here have changed since this document was written. If you are unsure of any procedure shown here, please contact us via the web at info@valco.com.au to obtain the most up to date information before use. Include the batch number, which can be found on a sticker on the frame.

All pictures and diagrams herein are provided for illustration purposes only. Actual product, colour or fabric may vary. VALCO BABY reserves the right to modify or alter any specification or colour without notice or obligation to modify any product previously purchased

FURTHER INFORMATION
In Australia/New Zealand
www.valco.com.au

In North America only
www.valcobaby.com
1800 610 7850

© Copyright VE 2011
081211



YOUR JOEY SEAT REQUIRES SOME ASSEMBLY BEFORE USE:

FIGURE A

1. Remove Joey toddler seat from the carton and dispose of any packaging thoughtfully.
2. The Joey comes in two parts, the main seat section and a back support bar.

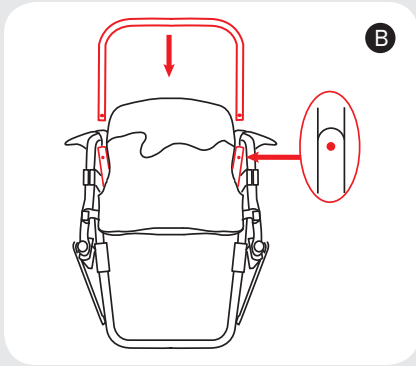


FIGURE B

3. Align the back support bar with the corresponding tubes of the seat back. Be sure the buttons on the support bar face the same side as the corresponding holes on the seat tube.
4. Insert the back support bar into the tube. Depress each button while pushing down on the bar, inserting it further into the seat tubes until the buttons pop into the button holes on the housing.

NOTE: FOR SAFETY REASONS THE SUPPORT BAR IS A TIGHT FIT AND YOU MAY NEED TO PUSH HARD TO SEAT THE BAR INTO POSITION CORRECTLY

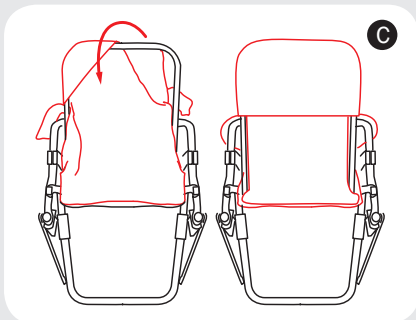


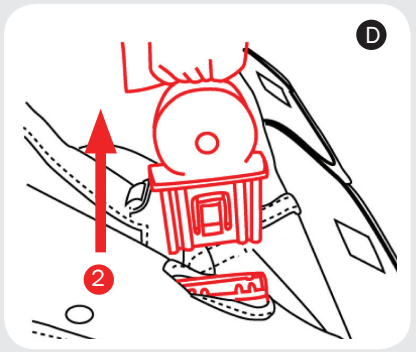
FIGURE C

5. Pull the fabric of the seat back up and over the back support bar.
6. Work the fabric over the back support bar until it fits snugly into position.

NOTE: THE FABRIC WILL BE A TIGHT FIT AND WILL REQUIRE EFFORT TO FIT IN PLACE.

7. Pull the side armrest flaps over the metal frame and secure with the snaps.

IMPORTANT WARNING: ALWAYS TEST THAT ALL BUCKLES, SNAPS AND CLAMPS ARE SECURELY ENGAGED BEFORE USE.



JOEY ASSEMBLY/OPENING

FIGURE D

8. Remove Joey toddler seat from the carton and dispose of any packaging thoughtfully.
9. Remove the bumper bar from the nylon housing at either side of the stroller.

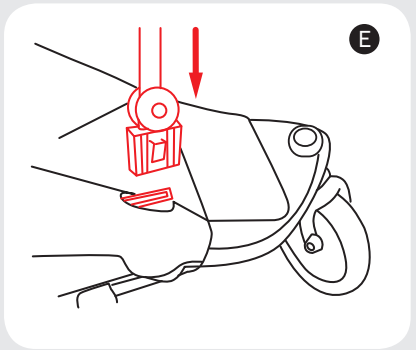


FIGURE E

10. Position the Joey toddler seat in the centre of the stroller and insert the bar ends into the bumper bar housing located on either side of the frame.
11. Be sure that the Joey seat faces forward on the stroller.

IMPORTANT WARNING: ALWAYS TEST THAT ALL BUCKLES/ CLAMPS ARE SECURELY ENGAGED BEFORE USE.

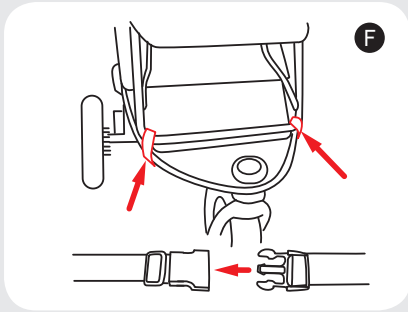


FIGURE F

- Secure the front legs to the stroller frame by wrapping the 2 side straps under the footrest, behind the basket connector and fastening below by inserting the buckle into the housing. Tighten the strap as far as possible.

TO REMOVE THE SEAT

FIGURE G

- To remove the seat: release the under frame security strap by reversing the procedure outlined in point 5
- Feeling the side of the nylon housing that sits below the frame at each side (facing inward), locate the release button in the side housing
- Press the release button inward while simultaneously lifting upward on the housing. Repeat for the other side and lift the seat free from the stroller.



IMPORTANT WARNING: ALWAYS TEST THAT ALL BUCKLES AND CLAMPS ARE SECURELY ENGAGED BEFORE USE.

FOLDING YOUR STROLLER WITH THE SEAT ENGAGED

FIGURE H

- Placing your foot on the footrest, press in turn each of the two frame release buttons in the plastic housings on either side of the toddlerseat frame.
- Lift the top half of the seat frame out of the plastic housings and move away.

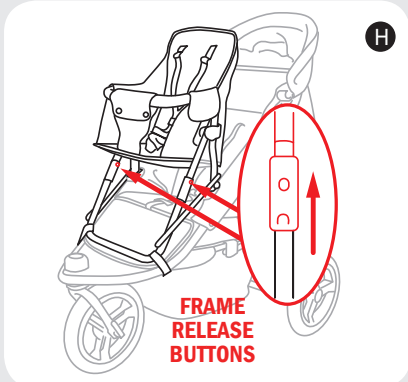
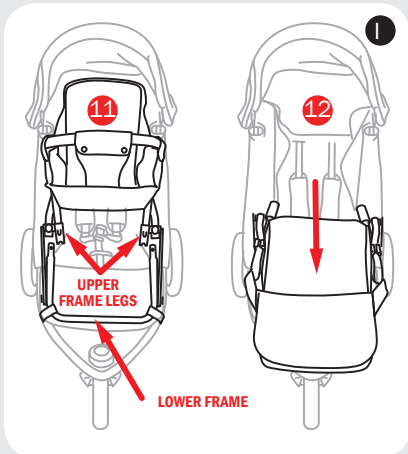
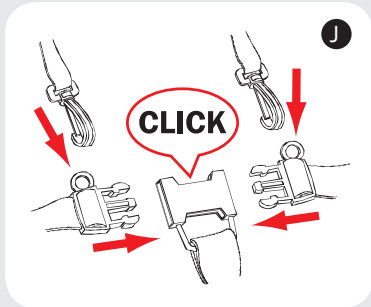


FIGURE I

- Swing the upper frame legs upward flat against the bottom of the seat (the lower frame will automatically fold down.)
- Fold the top section forward onto the footrest. Your stroller can now be folded as usual. Note: when folded with the seat, your stroller may be less compact and not fold all the way as it would without the seat.





USING YOUR HARNESS

FIGURE G

Your VALCO BABY pram is fitted with a 5 point safety harness system. Your child **MUST** always be harnessed while in the stroller.

TO SECURE YOUR CHILD IN THE HARNESS:

13. Insert Buckles (A) and (B) into either side of the Buckle Housing (C). Keep inserting until they click into place securely.
14. Carefully adjust the harness straps to snugly fit your child by adjusting the Sliders (D) located on all Shoulder Straps, Waist Straps and Crotch Strap. The harness should be snugly fitted to the baby's body, tight enough so that the baby cannot wriggle itself free of the straps but loose enough so as not to cause the baby any discomfort.

TO OPEN THE HARNESS:

15. Release the Buckle Prongs – Squeeze on the top and bottom prongs simultaneously and pull apart from the Buckle Housing. This process may be difficult as your buckle system has been designed to meet very stringent safety standards to ensure that a child cannot release the harness unaided.

WARNING

- FOLLOW THE MANUFACTURER'S INSTRUCTIONS.
- PUT ON ALL THE BRAKES WHENEVER YOU PARK THE PRAM/STROLLER.
- DO NOT LEAVE CHILDREN UNATTENDED.
- DO NOT CARRY EXTRA CHILDREN OR BAGS ON THIS PRAM/STROLLER.
- MAKE SURE CHILDREN ARE CLEAR OF ANY MOVING PARTS IF YOU ADJUST THE PRAM/STROLLER. OTHERWISE THEY MAY BE INJURED.

Remember, your child's safety is your responsibility...

- NEVER USE ON STAIRS OR ESCALATORS.
- ALWAYS USE THE TETHER STRAP WHEN THE STROLLER IS IN USE.
- THE CORRECT USE AND MAINTENANCE OF THIS VEHICLE ARE ESSENTIAL.
- BE SURE THAT ALL CLAMPS AND BUCKLES ARE SECURELY FIXED AND IN PLACE BEFORE USE
- WHEN IN THE STROLLER, YOUR CHILD MUST ALWAYS WEAR THE SAFETY HARNESS, CORRECTLY FITTED AND ADJUSTED, AT ALL TIMES.
- THE MAXIMUM WEIGHT OF THE OF THE TODDLER IN THIS SEAT IS 20 KG'S.
- THE OPTIMUM MANOEUVRABILITY OF YOUR STROLLER, PARTICULARLY WHEN USED WITH THE JOEY SEAT, IS ONLY ACHIEVED WHEN THE TYRES ARE FULLY PUMPED TO THE OPTIMAL OPERATING PRESSURE. (40 P.S.I.)
- NEVER REMOVE YOUR HANDS FROM THE STROLLER HANDLE WHILE YOUR CHILD IS IN THE JOEY SEAT.
- CHECK ALL PARTS BEFORE USE FOR BREAKAGE OR FATIGUE. DISCONTINUE USE IMMEDIATELY IF ANY PART IS FOUND TO BE DAMAGED OR BROKEN.
- ALWAYS PLACE YOUR CHILD INTO THE JOEY SEAT. NEVER ALLOW YOUR CHILD TO CLIMB INTO OR OUT OF THE SEAT. NEVER LEAVE THE STROLLER AT REST (PARKED) WITH A TODDLER IN THE JOEY SEAT.
- NEVER USE THIS SEAT IF THE CHILD IS UNWILLING TO SIT IN IT.
- ALWAYS BE AWARE OF YOUR CHILD'S POSITION WHEN SITTING IN THE JOEY SEAT. EXCESSIVE LEANING TO ONE SIDE OR WHILE THE STROLLER IS CORNERING, MAY CAUSE THE UNIT TO BECOME UNSTABLE.
- EXTRA CARE MUST BE TAKEN WHEN USING ON UNEVEN SURFACES.
- NOT RECOMMENDED FOR A CHILD UNDER 6 MONTHS OLD AND/OR UNABLE TO SIT UP UNASSISTED.
- DO NOT USE THIS SEAT WITH ANY OTHER MODELS OF PRAM/STROLLER. ONLY USE THIS JOEY SEAT WITH THE CORRECT MODEL VALCO BABY STROLLER
- ALWAYS ENSURE THAT EACH CHILD IS CLEAR OF ALL MOVING PARTS WHEN ADJUSTING THE STROLLER.
- WHEN IN THE STROLLER EACH CHILD MUST ALWAYS WEAR THE SAFETY HARNESS, CORRECTLY FITTED AND ADJUSTED, AT ALL TIMES.
- ALWAYS BE AWARE OF THE RISKS PROVIDED BY FIRE AND OTHER SIGNIFICANT SOURCES OF HEAT SUCH AS RADIATORS, ETC. WHICH MAY BE IN THE IMMEDIATE VICINITY OF YOUR STROLLER.
- IT MAY BE UNSAFE TO USE ANY ACCESSORIES OTHER THAN VALCO BABY APPROVED ONES.
- THIS PRODUCT IS INTENDED FOR DOMESTIC USE ONLY. IT IS NOT INTENDED FOR COMMERCIAL USE.

Should the chassis become wet, dry off promptly before storing. If this pram is used near the ocean or salted roads, spray the chassis and seat frame with water and dry. We recommend a rust inhibiting product should be used to prevent rust and fatigue on metal parts.

We recommend that you wipe down axles and lubricate the wheels every 3 months. Sand and dirt can grind down axles, if you live near the beach or in a dusty environment you must wipe down the axles and wheels then lubricate them monthly.

AXLES ARE BEST LUBRICATED WITH GREASE OR PETROLEUM JELLY. MOVING PARTS ARE BEST LUBRICATED WITH SILICONE BASED PRODUCTS. DO NOT USE OIL BASED PRODUCTS.

valco
baby

FURTHER INFORMATION
In Australia/New Zealand
www.valco.com.au

In North America only
www.valcobaby.com
1800 610 7850