



LATITUDE STROLLER

PRODUCT REFERENCE GUIDE

Thank you for purchasing a quality Valco Baby product. Please read and follow the instructions outlined in this guide carefully. Familiarise yourself with the construction and safety features; be sure that you understand all the warnings and safety guidelines before use.

Retain this guide in a safe place for future reference.



Due to our policy of continuous product development, this product is constantly evolving. It is possible that some features or procedures outlined here have changed since this document was written.

If you are unsure of any procedure shown here, please contact us via the web at **info@valco.com.au** to obtain the most up to date information before use. Include the batch number, which can be found on a sticker on the frame.

All pictures and diagrams herein are provided for illustration purposes only. Actual product, colour or fabric may vary. Valco Baby reserves the right to modify or alter any specification or colour without notice or obligation to modify any product previously purchased

FURTHER INFORMATION

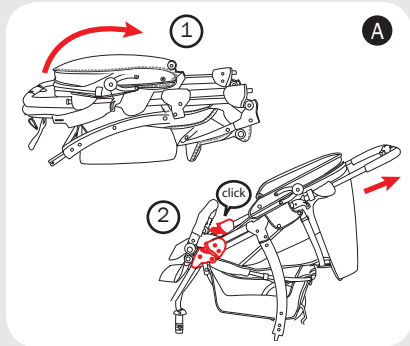
In Australia/New Zealand

www.valco.com.au

In North America only

www.valcobaby.com
1800 610 7850





ASSEMBLY

FIGURE A

1. Lift the handle upward toward you. The frame will begin to open.
2. Continue opening the frame until you hear it “click” into the fully locked position.

IMPORTANT: CHECK THAT ALL SEAT STUDS ARE FULLY ENGAGED BEFORE USE

INSTALL THE REAR AXLE/BRAKE BAR

FIGURE B

3. With the brake levers (3a) facing AWAY from the stroller, align the plastic brake housings with the rear legs (3b). Firmly push each housing onto the corresponding leg until it locks into place. Test by pulling on the rear axle.

INSERT REAR WHEELS

FIGURE C

4. Depressing the button in the centre hub of the rear wheel, insert each wheel axle in turn, into the wheel hub. Push the wheel as far as it will go before releasing the button.

IMPORTANT: PULL EACH WHEEL SLIGHTLY BACK TOWARDS YOU TO ENSURE THAT IT HAS FULLY ENGAGED IN THE AXLE.

INSERT FRONT WHEELS

5. Insert each front swivel wheel over the housing on the front legs. **IMPORTANT: BE SURE THAT THE SWIVEL LOCK LEVER IN THE HOUSING IS AT THE TOP.**
6. To fix the front wheel in the non swivel position, turn the wheel so that the two notches on both housings line up. Press down firmly on the swivel lock until it locks into place.

TO INSTALL THE BUMPER BAR

FIGURE D

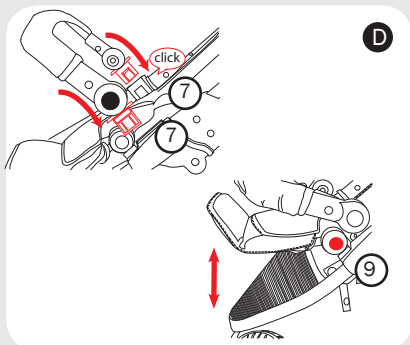
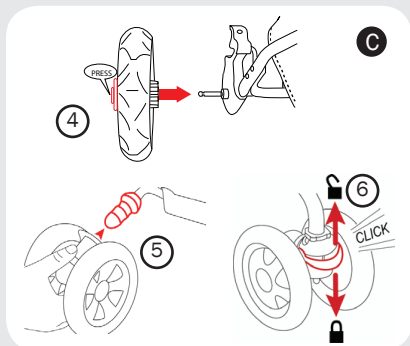
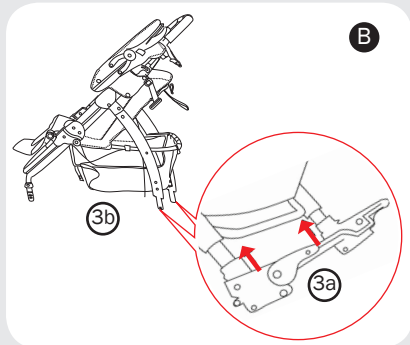
7. Align the ends of the bumper bar with the housing located on either side of the seat.
8. Insert the ends into the housing. Keep pushing until they lock into place.

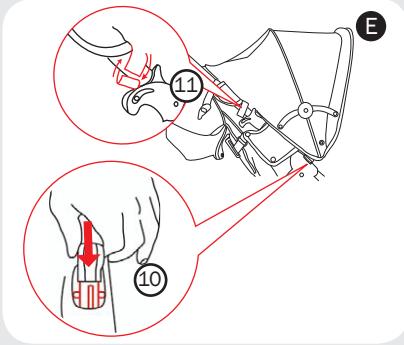
This bumper bar is NOT adjustable.

IMPORTANT: NEVER LIFT YOUR STROLLER BY THE BUMPER BAR. THE FRONT BAR IS NEITHER A RESTRAINING NOR CARRYING DEVICE.

ADJUSTING THE FOOTREST

9. To lower/raise the footrest, simultaneously press the release buttons and move the footrest to the desired position.





INSTALLING THE HOOD

FIGURE E

- Align the plastic hood housings over the corresponding housing on either side of the stroller frame. Align EACH straight track on the stroller housing with the corresponding "channel" in the hood housing. Slide the hood housing downward over the track so that it completely engages on to the stroller frame.
- Fix the velcro strap around each handle bar to secure the hood completely.

USING THE HARNESS

FIGURE F

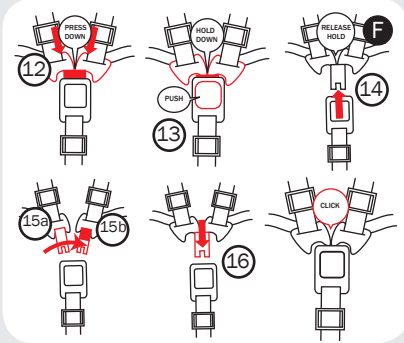
Your child MUST always be harnessed while in the stroller.

TO OPEN YOUR HARNESS:

- Push down on both Buckle Prongs.
- Simultaneously press the release button in the centre of the buckle.
- Lift the buckles from the Buckle Housing.

TO SECURE YOUR CHILD IN THE HARNESS:

- Overlap buckles (15a) and (15b) so that they fit together to form one complete buckle.
- Insert the completed buckle into the Buckle Housing until it engages securely in place.



ADJUSTING YOUR HANDLE

FIGURE G

- Your handle can be adjusted to multiple positions. Press the centre locking button while simultaneously moving the handle up or down. Releasing the button will allow the handle to lock into the next available position. Your stroller comes equipped with a Safety Tether (17a). Secure the strap to your wrist to stop the stroller rolling away.

NOTE: ALWAYS USE THE TETHER STRAP WHEN A CHILD IS IN THE STROLLER

SECURING YOUR BRAKES

- With your foot, press down on the centre of the brake lever to simultaneously engage the brake in both wheels. To release, simply lift the lever with your foot.

IMPORTANT: ALWAYS TEST THAT THE BRAKES ARE FULLY ENGAGED BY PUSHING THE STROLLER FORWARD AND BACKWARD.

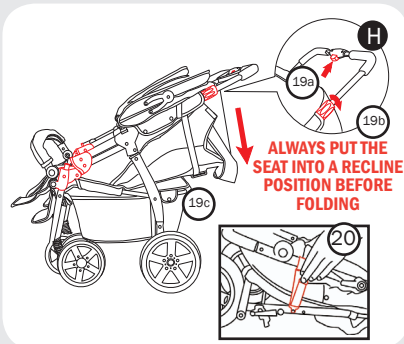
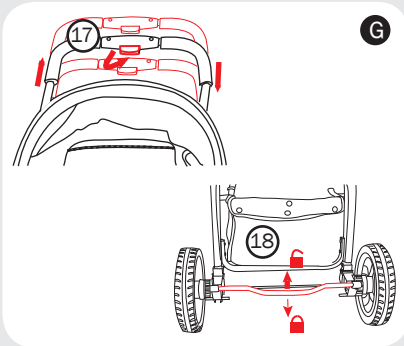
TO FOLD YOUR LATITUDE STROLLER

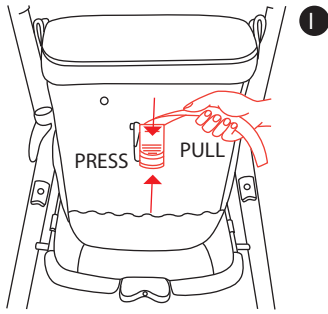
FIGURE H

- IMPORTANT: BEFORE FOLDING, THE SEAT MUST BE IN A RECLINE POSITION OF AT LEAST 30%. IF THE SEAT IS NOT RECLINED, THE HOOD MAY POP OFF THE FRAME DURING FOLDING.** Pressing the centre locking button (19a), turn the secondary release lock (19b) anti-clockwise and hold it in the open position. Push the handle firmly downward as far as it will go as it presses down on the spring frame release mechanism. As you feel the frame release, push down on the handle and the frame will fold "backward" (19c).

- You can lock the frame closed by stretching the locking strap over the frame, placing the metal catch over the rivet head in the chassis.

HINT: FOR MOST COMPACT RESULTS YOU MAY NEED TO TURN THE FRONT WHEEL.





YOUR RECLINING ADJUSTMENT

FIGURE 1

Our system offers an almost infinite amount of individual seat adjustments.

TO RECLINE: While squeezing the centre release mechanism in a pincer action, ease the seat down to the desired position.

TO INCLINE: Place your hand at the centre of the rear of the seat. Pull the incline strap while gently pushing on the rear of the seat until the desired position has been reached.

WARNING

- **FOLLOW THE MANUFACTURER'S INSTRUCTIONS.**
- **PUT ON ALL THE BRAKES WHENEVER YOU PARK THE PRAM/STROLLER.**
- **DO NOT LEAVE CHILDREN UNATTENDED.**
- **DO NOT CARRY EXTRA CHILDREN OR BAGS ON THIS PRAM/STROLLER.**
- **MAKE SURE CHILDREN ARE CLEAR OF ANY MOVING PARTS IF YOU ADJUST THE PRAM/STROLLER. OTHERWISE THEY MAY BE INJURED.**

Remember, your child's safety is your responsibility...

- NEVER USE ON STAIRS OR ESCALATORS.
- ALWAYS USE THE TETHER STRAP WHEN THE STROLLER IS IN USE.
- THE CORRECT USE AND MAINTENANCE OF THIS VEHICLE ARE ESSENTIAL.
- BE SURE THAT ALL CLAMPS AND BUCKLES ARE SECURELY FIXED AND IN PLACE BEFORE USE
- WHEN IN THE STROLLER, YOUR CHILD MUST ALWAYS WEAR THE SAFETY HARNESS, CORRECTLY FITTED AND ADJUSTED, AT ALL TIMES.
- THE MAXIMUM WEIGHT OF THE CHILD FOR WHICH THIS STROLLER WAS INTENDED IS 20KGS.
- CAN BE USED FROM A NEWBORN BABY ONWARDS. A COCOON, SPECIALLY DESIGNED TO BE USED WITH A STROLLER, IS RECOMMENDED WHEN ANY FULLY RECLINING STROLLER IS USED WITH A NEWBORN.
- NEVER RUN WITH A NEWBORN BABY IN ANY PRAM OR STROLLER UNTIL THE CHILD CAN SIT UP UNASSISTED (APPROXIMATELY 6 MONTHS).
- CHECK ALL PARTS BEFORE USE FOR BREAKAGE OR FATIGUE. DISCONTINUE USE IMMEDIATELY IF ANY PART IS FOUND TO BE DAMAGED OR BROKEN.
- MAXIMUM LOAD OF BASKETS: 3.5KGS.
- DO NOT CARRY ADDITIONAL CHILDREN. THIS STROLLER IS MANUFACTURED FOR THE USE WITH ONE CHILD ONLY
- ALWAYS BE AWARE OF THE RISKS PROVIDED BY FIRE AND OTHER SIGNIFICANT SOURCES OF HEAT SUCH AS RADIATORS, ETC. WHICH MAY BE IN THE IMMEDIATE VICINITY OF YOUR STROLLER.
- IT MAY BE UNSAFE TO USE ANY ACCESSORIES OTHER THAN VALCO BABY APPROVED ONES.
- THIS PRODUCT IS INTENDED FOR DOMESTIC USE ONLY. IT IS NOT INTENDED FOR COMMERCIAL USE.

Should the chassis become wet, dry off promptly before storing. If this pram is used near the ocean or salted roads, spray the chassis and seat frame with water and dry. We recommend a rust inhibiting product should be used to prevent rust and fatigue on metal parts.

We recommend that you wipe down axles and lubricate the wheels every 3 months. Sand and dirt can grind down axles, if you live near the beach or in a dusty environment you must wipe down the axles and wheels then lubricate them monthly.

AXLES ARE BEST LUBRICATED WITH GREASE OR PETROLEUM JELLY. MOVING PARTS ARE BEST LUBRICATED WITH SILICONE BASED PRODUCTS. DO NOT USE OIL BASED PRODUCTS.

valco
baby

In Australia/New Zealand

www.valco.com.au

In North America only

www.valcobaby.com
1 800 610 7850