



TRAVEL SYSTEM ADAPTOR

FOR REBEL Q STROLLER- CHASSIS MODEL TO FIT MAXI COSI™ 80102183BS TRAVEL SYSTEM

PRODUCT REFERENCE GUIDE

Thank you for purchasing a quality VALCO BABY product. Please read and follow the instructions outlined in this guide carefully. Familiarise yourself with the construction and safety features; be sure that you understand all the warnings and safety guidelines before use.

Important: Please read the following instructions carefully before assembling this product. Retain this guide in a safe place for future reference.



Due to our policy of continuous product development, this product is constantly evolving. It is possible that some features or procedures outlined here have changed since this document was written. If you are unsure of any procedure shown here, please contact us via the web at info@valco.com.au to obtain the most up to date information before use. Include the batch number, which can be found on a sticker on the frame.

All pictures and diagrams herein are provided for illustration purposes only. Actual product, colour or fabric may vary. VALCO BABY reserves the right to modify or alter any specification or colour without notice or obligation to modify any product previously purchased

FURTHER INFORMATION

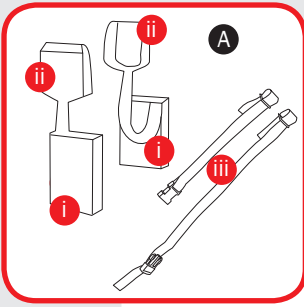
In Australia/New Zealand
www.valco.com.au

In North America only
www.valcobaby.com
1800 610 7850

© Copyright VE 2011
vs241011

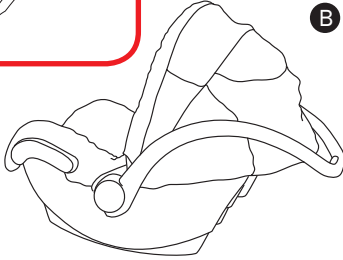
ADAPTOR ASSEMBLY

FIGURE A



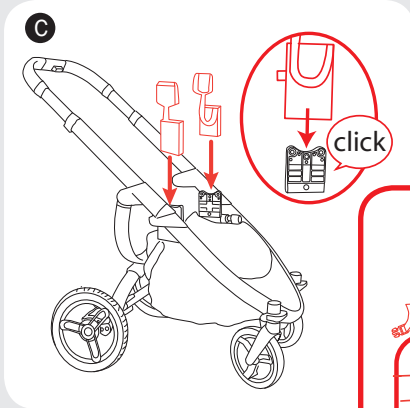
- i. Adaptor Fixing brackets
- ii. Infant car seat supports
- iii. Infant car seat supports

FIGURE B

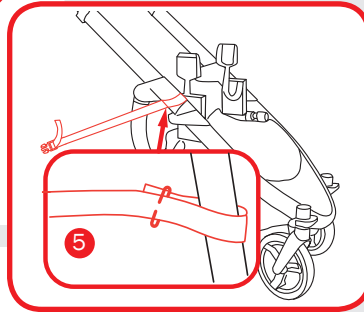


2. This Valco Baby Travel System is made to accommodate the Maxi Cosi™ Model number 80102183BS Car seat.

FIGURE C - INSTALLING THE ADAPTOR



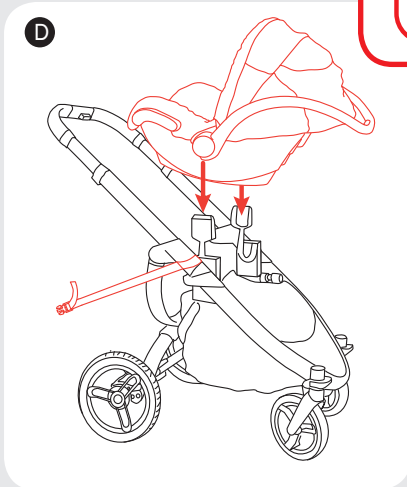
3. Remove your stroller seat completely from the Rebel Q and store responsibly in a well ventilated place. (Refer to your Rebel Q instruction manual for details).



4. Align each adaptor with corresponding seat housing so that the buttons face to rear of stroller.
5. Lower each Adaptor carefully into the seat housings until engaged into place.
5. Attach each security strap to either side of the frame

IMPORTANT NOTE: ALWAYS TEST THAT THE CAR SEAT ADAPTOR HAS BEEN FULLY ENGAGED INTO POSITION BEFORE ATTACHING YOUR CAR SEAT.

FIGURE D - USING YOUR TRAVEL SYSTEM



6. Align the infant car seat with the round handle hinges directly above the infant car seat supports of the adaptors. (these supports fit into the hollow of these round hinges). Lower the seat until the supports engage in the hinges.

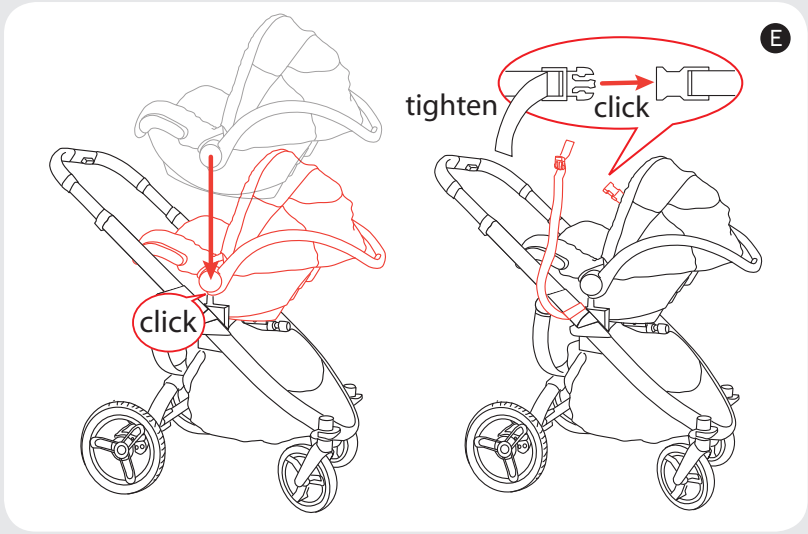


FIGURE E

7. Push down on the seat firmly until you feel the locking uprights click into place.
8. Pass each security strap up and over the infant car seat. Click and engage the buckle in the corresponding housing and tighten by pulling the adjusting strap.

IMPORTANT NOTE: ALWAYS TEST THAT THE SEAT IS SECURELY ENGAGED BY PULLING UP ON IT SLIGHTLY

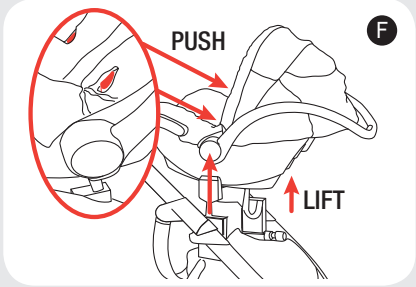
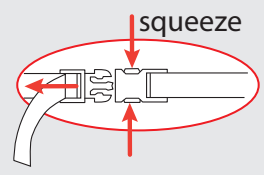


FIGURE F - REMOVING THE SEAT

9. Release the security straps by squeezing firmly on either side of the buckle to release.



10. Release the seat catch in the same manner as you would release the seat from the car, by pushing the release buttons on either side at the top of the car seat and lifting it smoothly upward at 90°.

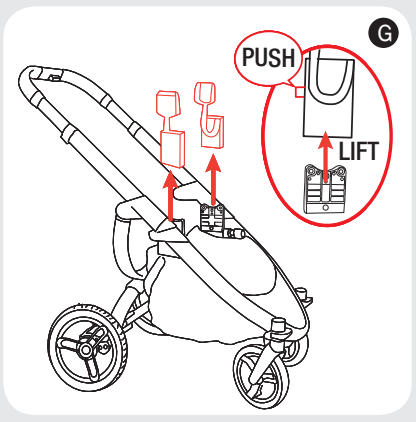


FIGURE G - REMOVING THE ADAPTOR

11. To remove the adaptor from the chassis, press the release buttons found on the rear of the adaptor housing and lift up the adaptor free of the chassis.

WARNING

- **FOLLOW THE MANUFACTURER'S INSTRUCTIONS.**
- **PUT ON ALL THE BRAKES WHENEVER YOU PARK THE PRAM/STROLLER.**
- **DO NOT LEAVE CHILDREN UNATTENDED.**
- **DO NOT CARRY EXTRA CHILDREN OR BAGS ON THIS PRAM/STROLLER.**
- **MAKE SURE CHILDREN ARE CLEAR OF ANY MOVING PARTS IF YOU ADJUST THE PRAM/STROLLER. OTHERWISE THEY MAY BE INJURED.**

Remember, your child's safety is your responsibility...

- NEVER USE ON STAIRS OR ESCALATORS.
- ALWAYS USE THE TETHER STRAP WHEN THE STROLLER IS IN USE.
- THE CORRECT USE AND MAINTENANCE OF THIS VEHICLE ARE ESSENTIAL.
- BE SURE THAT ALL CLAMPS AND BUCKLES ARE SECURELY FIXED AND IN PLACE BEFORE USE
- WHEN IN THE STROLLER, YOUR CHILD MUST ALWAYS WEAR THE SAFETY HARNESS, CORRECTLY FITTED AND ADJUSTED, AT ALL TIMES.
- NEVER EXCEED THE MAXIMUM WEIGHT OR HEIGHT OF THE CHILD FOR WHICH YOUR CAR SEAT IS INTENDED - REFER TO YOUR CAR SEAT MANUAL FOR INFORMATION REGARDING THE WEIGHT AND HEIGHT FOR WHICH THE SEAT CAN BE USED.
- REFER TO YOUR CAR SEAT MANUAL FOR USAGE INSTRUCTIONS
- NEVER RUN WITH A NEWBORN BABY IN ANY PRAM OR STROLLER.
- CHECK ALL PARTS BEFORE USE FOR BREAKAGE OR FATIGUE. DISCONTINUE USE IMMEDIATELY IF ANY PART IS FOUND TO BE DAMAGED OR BROKEN.
- MAXIMUM LOAD OF BASKETS: 3.5KGS.
- ALWAYS BE AWARE OF THE RISKS PROVIDED BY FIRE AND OTHER SIGNIFICANT SOURCES OF HEAT SUCH AS RADIATORS, ETC. WHICH MAY BE IN THE IMMEDIATE VICINITY OF YOUR STROLLER.
- IT MAY BE UNSAFE TO USE ANY ACCESSORIES OTHER THAN VALCO APPROVED ONES.
- THIS PRODUCT IS INTENDED FOR DOMESTIC USE ONLY. IT IS NOT INTENDED FOR COMMERCIAL USE.



In Australia/New Zealand

www.valco.com.au

In North America only

www.valcobaby.com
1 800 610 7850