

valco
baby

ORION/TITAN STROLLER

PRODUCT REFERENCE GUIDE

Thank you for purchasing a quality VALCO product. Please read and follow the instructions outlined in this guide carefully. Familiarise yourself with the stroller construction and safety features; be sure that you understand all the warnings and safety guidelines before use.

Retain this guide in a safe place for future reference.



Due to our policy of continuous product development, this product is constantly evolving. It is possible that some features or procedures outlined here have changed since this document was written. If you are unsure of any procedure shown here, please contact us via the web at info@valco.com.au to obtain the most up to date information before use. Include the batch number, which can be found on a sticker the stroller frame.

All pictures and diagrams herein are provided for illustration purposes only. Actual product, colour or fabric may vary. VALCO reserves the right to modify or alter any specification or colour without notice or obligation to modify any product previously purchased

FURTHER INFORMATION

In Australia/New Zealand

www.valco.com.au
www.valco.co.nz

In North America only

www.valcobaby.com
1800 610 7850

ASSEMBLY

FIGURE A

1. Remove the carton contents carefully. Dispose of any packaging materials thoughtfully. Release the locking clamp by lifting it outward off the rivet (1a). Grasping the front bar with one hand and the handle with the other, push them carefully apart until you hear the frame click into place.
2. Engage the primary locking mechanism by pressing down (with your hand or foot) on the joint.

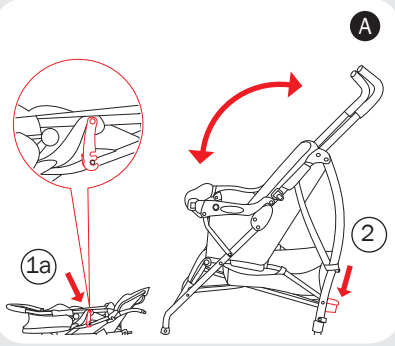


FIGURE B

3. Identify both front (3a - wheel locking rim on housing) and rear (3b - brake levers on top of the wheel housing) wheels before use.
 4. Insert the rear wheels onto the frame at (4). Be sure that the brake levers are facing outside, away from the stroller frame.
 5. Insert the front wheels onto the frame at (5). Push the front wheel release button inwards whilst pushing the wheel onto the frame until you hear it click into place.
- WARNING: Be sure that all the wheels click securely into place.**

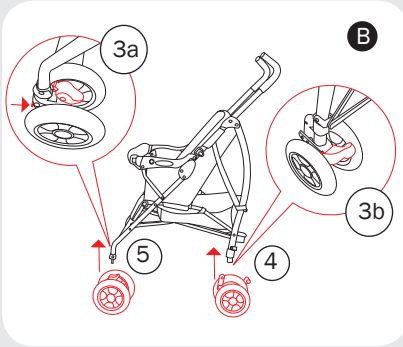
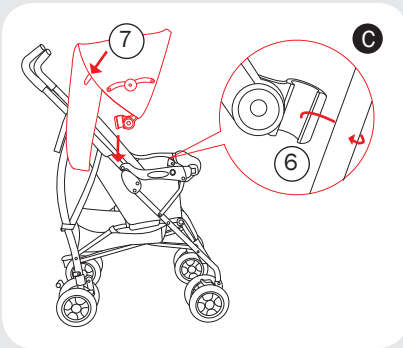


FIGURE C - HOOD

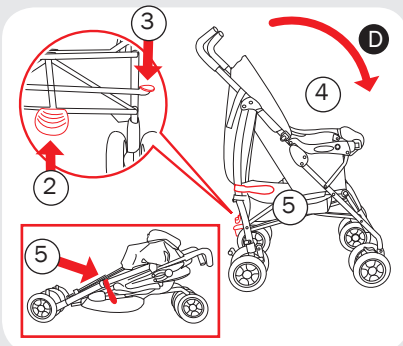
6. Attach the hood by firmly pressing the clamps on either side onto the inside of the stroller frame (5).
 7. Secure the top of the hood to the frame by wrapping the velcro around the frame tube and securing.
- YOUR STROLLER IS NOW READY FOR USE.**



OPENING/FOLDING YOUR STROLLER

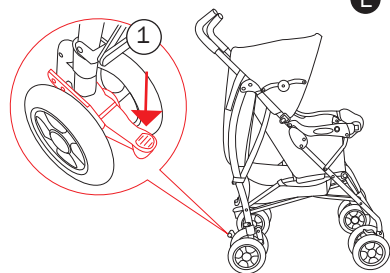
FIGURE D

1. Fold your hood back up against the handles.
2. Standing behind your stroller, lift the primary safety lock with your foot or hand.
3. With your foot, press down on the secondary locking device and simultaneously push the handles forward.
4. Continue pressing down on the handles till they meet the wheels.
5. Lock the stroller into the closed position by using the locking handle found on the side of the frame.



USING YOUR BRAKES

FIGURE E



1. To lock, simply press down on the rear of each brake lever until the brake pin engages into the wheel cog.
2. To unlock, release the brake pin from the wheel cog by lifting the brake lever.

ALWAYS CHECK THAT THE BRAKE PIN HAS ENGAGED IN THE WHEEL COG BY TESTING THAT THE WHEEL CANNOT ROTATE.

REMOVING/INSTALLING YOUR FRONT BAR

FIGURE F

1. Press the side button (1) while simultaneously pulling at the front bar until it separates from the housing.
2. Repeat this procedure with the other side.
3. Reverse the process to re-insert the front bar.

ADJUSTING THE FOOTREST

4. Simultaneously press the two buttons located on each side inwards until the footrest is at the desired position.

ADJUSTING THE SEAT

FIGURE G

The new recline system offers an almost infinite amount of seat adjustments:

1. **RECLINE:** While squeezing the centre release mechanism pull gently down to ease the seat into the desired position.
2. **INCLINE:** Squeeze the center release mechanism and grasp the incline strap with your other hand.
3. Pull the incline strap (3) while gently pushing on the rear of the seat until the desired position has been reached. Always test that the seat is securely locked in place before use.

USING YOUR HARNESS

FIGURE H

Your VALCO pram is fitted with a 5 point safety harness system. Your child **MUST** always be harnessed while in the stroller.

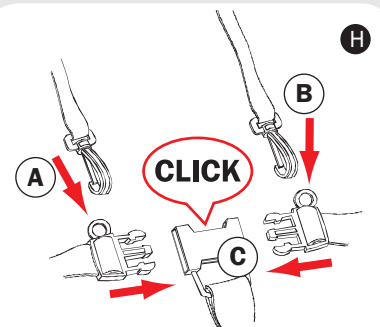
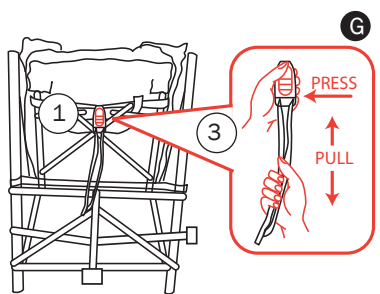
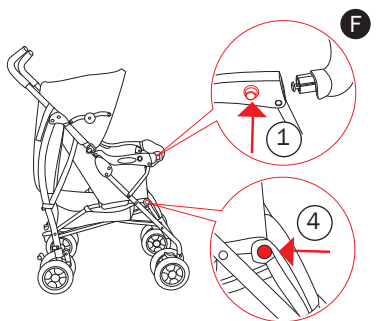
TO SECURE YOUR CHILD IN THE HARNESS:

1. Insert Buckles (A) and (B) into either side of the Buckle Housing (C). Keep inserting until they click into place securely.
2. Carefully adjust the harness straps to snugly fit your child by adjusting the Sliders (D) located on all Shoulder Straps, Waist Straps and Crotch Strap. The harness should be snugly fitted to the baby's body, tight enough so that the baby cannot wriggle itself free of the straps but loose enough so as not to cause the baby any discomfort.

TO OPEN THE HARNESS:

1. Release the Buckle Prongs - Squeeze on the top and bottom prongs simultaneously and pull apart from the Buckle Housing.

This process may be difficult as your buckle system has been designed to meet very stringent safety standards to ensure that a child cannot release the harness unaided.



WARNINGS

Your child's safety is your responsibility

- Be sure to check that all hinges, clamps and buckles are securely fixed and in place before use.
- Check all parts for breakage or fatigue before use. Discontinue immediately if any part is found to be damaged or broken.
- The maximum weight of the child for which this stroller is intended is 15 kg's.
- Exceeding the recommended load may cause this unit to become unstable.
- Care **MUST** be taken when folding the stroller to prevent finger entrapments.
- **NEVER** jog with a newborn baby in any pram or stroller. This stroller is not suitable to be used when running or roller blading.
- **ALWAYS** ensure that the child is clear of all moving parts when adjusting the stroller.
- If your child is in the seat, ensure that the child is properly supported before adjusting the backrest.
- **ALWAYS** engage the brake system when the stroller is at rest.
- **NEVER** leave any child unattended in the stroller.
- **NEVER** use on escalators or stairs.
- When in the stroller the child must **ALWAYS** wear the safety harness, correctly fitted and adjusted.
- **DO NOT** hang shopping bags from the handle as this may affect the stroller's stability.
- Always use the basket provided. The maximum weight in the basket is 5 kg's (4.4 lbs).
- Do not carry additional children in the stroller. It may be unsafe to use any accessories other than VALCO approved ones.
- **NEVER** allow the stroller to be used as a toy.
- **NEVER** allow your child to stand up in the stroller.
- Although the chassis is strong, it will be weakened when descending steps/curbs with the back wheels only.
- **ALWAYS** be aware of the risks provided by fire and other significant sources of heat such as radiators etc. which may be in the immediate vicinity of your stroller.
- This product is intended for domestic use only. It is not intended for commercial use.

CARE & MAINTENANCE

Should the chassis become wet, dry off promptly before storing. If this pram is used near the ocean or salted roads, spray the chassis and seat frame with water and dry. We recommend a rust inhibiting product should be used to prevent rust and fatigue on metal parts.

We recommend that you wipe down axles and lubricate the wheels every 3 months. Sand and dirt can grind down axles, if you live near the beach or in a dusty environment you must wipe down the axles and wheels then lubricate them monthly.

The seat fabrics may be washed by gently sponging with mild soap in warm water. Dry naturally.

AXLES ARE BEST LUBRICATED WITH GREASE OR PETROLEUM JELLY. MOVING PARTS ARE BEST LUBRICATED WITH SILICONE BASED PRODUCTS. DO NOT USE OIL BASED PRODUCTS.

The logo for Valco baby, featuring the word "valco" in a large, lowercase, serif font, with "baby" in a smaller, lowercase, serif font directly below it. The text is white and set against a dark, rectangular background.

In Australia/New Zealand

**www.valco.com.au
www.valco.co.nz**

In North America only

**www.valcobaby.com
1 800 610 7850**